

ITEM	DESCRIPTION	SPARES No.
1	ELEMENT (STANDARD)	730840010
	ELEMENT (220V) FOR 380V 3N~	730860070
	ELEMENT (254V) FOR 440V 3N~	730860080
	ELEMENT (277V) FOR 480V 3N~	730860090
	ELEMENT (380V) FOR 380V 3~	730860100
	ELEMENT (415V) FOR 415V 3~	730860110
	ELEMENT (440V) FOR 440V 3~	730860120
2	ELEMENT (480V) FOR 480V 3~	730860130
	CONTROL PANEL	730870000
3	MAINS INDICATOR RED C/W NUT	730860010
	NON STD VOLTAGE INDICATOR RESISTOR	734000025
4	HEAT INDICATOR AMBER C/W NUT	730860020
	NON STD VOLTAGE INDICATOR RESISTOR	734000025
5	CONTROL KNOB	730870001
6	3 POSITION SWITCH	730840040

PRODUCTION ISSUE

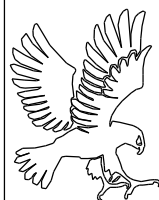
ISSUE	MOD No	ALTERATION	DRAWN BY	DATE
1	242	PRE-PRODUCTION ISSUE	S. BROWN	03/11/11
A	1322	PRODUCTION ISSUE	S. BROWN	08/12/11

IF IN DOUBT ASK
DO NOT SCALE
FIRST ANGLE PROJECTION

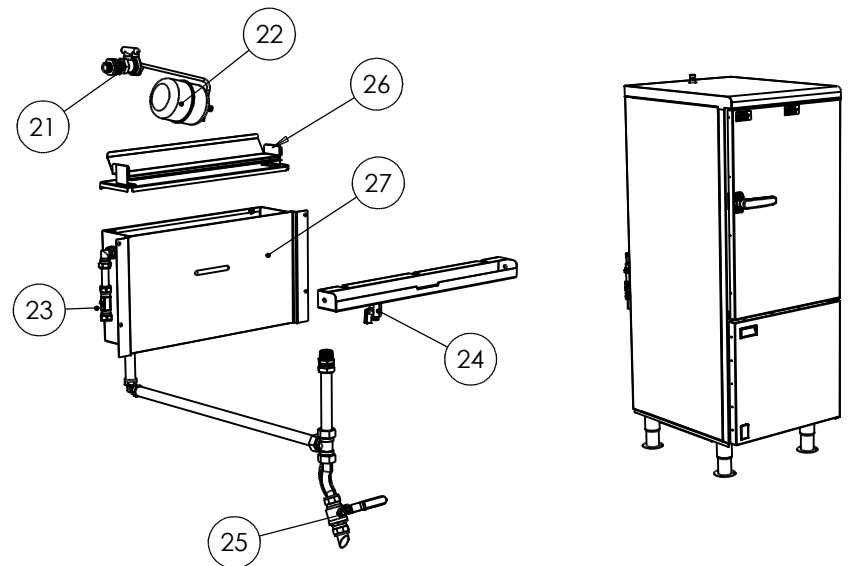
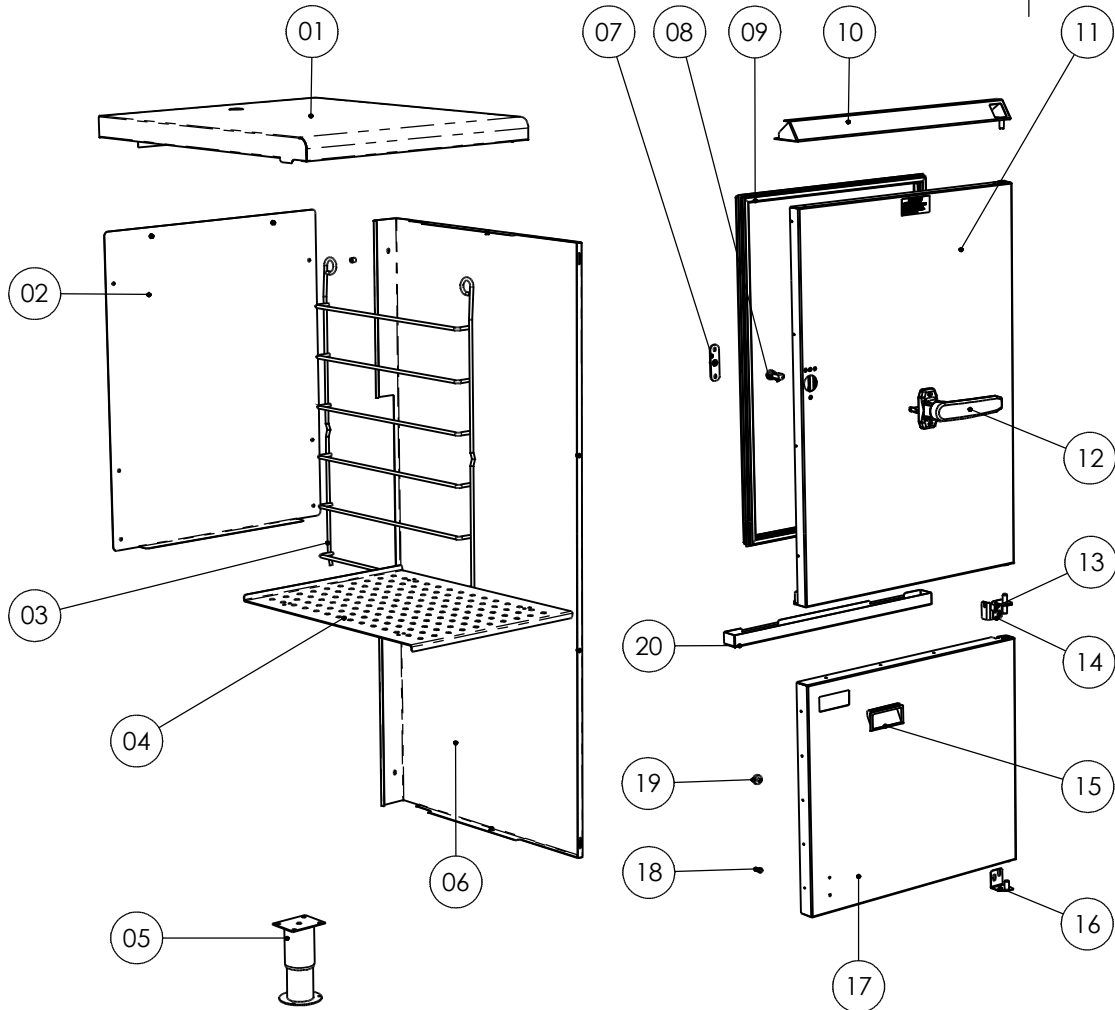
UNLESS OTHERWISE SPECIFIED:
DIMENSIONS ARE IN MILLIMETERS
TOLERANCES:
LINEAR: ±0.5mm
ANGULAR: ±0.5 DEG

DEBUR AND
BREAK SHARP EDGES

WEIGHT: 2878.32g



DRAWN: S. BROWN	PRODUCT		E3478 STEAMING OVEN
DATE: 03/11/11	TITLE		
SCALE: 1:4	SPARES - ELEC ONLY		
MATL:	DRAWING NUMBER	ISSUE	
THICKNESS:	FINISH:	AB49156	A
BIN No:	PART No:		



ITEM	DESCRIPTION	SPARES No.
1	OUTER TOP PANEL	730870002
2	OUTER REAR PANEL	730870003
3	WIRE OVEN SHELF RACK - LH OR RH	530843021
4	PERFORATED OVEN SHELF	520840015
5	ADJUSTABLE FLOOR MOUNTING FOOT	730870004
6	OUTER SIDE PANEL - LH OR RH	730870005
7	DOOR PIN LATCH MOUNTING PLATE	730870006
8	DOOR PIN - SINGLE ACTION LOCK	730870007
9	DOOR SEAL PUSH FIT	730870008
10	OVEN TOP SUPPORT & HINGE PIN	730870009
11	OVEN DOOR ASSEMBLY	730870010
12	OVEN DOOR HANDLE	730870011
13	OVEN DOOR - BOTTOM HINGE	730870012
14	BOTTOM DOOR - TOP HINGE	730870013
15	BOTTOM DOOR RECESSED DOOR HANDEL	730870014
16	BOTTOM DOOR - BOTTOM HINGE	730870015
17	BOTTOM DOOR ASSEMBLY	730870016
18	BOTTOM DOOR STOPS X2	730870017
19	BOTTOM DOOR MAGNET	730870018
20	DOOR DRIP TRAY	730870019
21	CISTERN BALL VALVE	530843055
22	CISTERN BALL FLOAT	530843040
23	WATER DOUBLE CHECK VALVE	730870020
24	DRAIN TROUGH VALVE	730843090
25	CHAMBER & CISTERN DRAIN VALVE	530843010
26	CISTERN LID GAS	530843032
27	CISTERN LID ELECTRIC	730843200
	CISTERN	530843460

PRODUCTION ISSUE

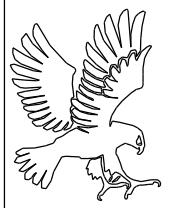
ISSUE	MOD No	ALTERATION	DRAWN BY	DATE
A	1322	PRODUCTION ISSUE	S. BROWN	08/12/11
B		CIRTERN & LID DETAILS ADDED	S. BROWN	08/03/12
C	7433	REF TO 730870000 DOUBLE ACTION LOCK DELETED	F.GARVOCK	14/10/15

IF IN DOUBT ASK
DO NOT SCALE
FIRST ANGLE PROJECTION

UNLESS OTHERWISE SPECIFIED:
DIMENSIONS ARE IN MILLIMETERS
TOLERANCES:
LINEAR: ±0.5mm
ANGULAR: ±0.5 DEG

DEBUR AND
BREAK SHARP EDGES

WEIGHT: 7446.36g



DRAWN: S. BROWN	PRODUCT	E+G 3478 STEAMING OVEN	
DATE: 03/11/11	TITLE	SPARES - COMMON	
SCALE: 1:10	DRAWING NUMBER	AB49031	ISSUE
MATL:	FINISH:		C
THICKNESS:	PART No:		
BIN No:			

NO REPRODUCTION OR PUBLICATION OF THIS DRAWING MAY BE MADE AND NO ARTICLE MAY BE MANUFACTURED OR ASSEMBLED IN ACCORDANCE WITH THIS DRAWING WITHOUT PRIOR WRITTEN CONSENT. THIS PROHIBITION IS A TERM OF ANY CONTRACT RELATING TO THIS DRAWING. RIGHTS RESERVED UNDER THE COPYRIGHT ACT 1956 AS AMENDED BY THE DESIGN COPYRIGHT ACT 1968